

Combo line

Operation Manual: 09.107515

Product: Wall & Ceiling Sander Handysand Combo Line

Model Part Number: 23.5111101,

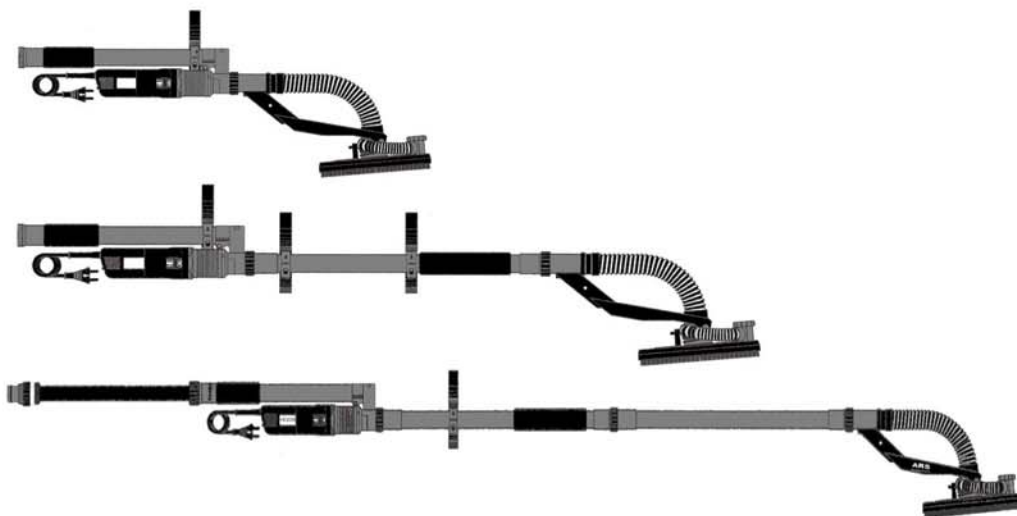
23.5011101, 23.5011200, 23.5011201, 23.5011300

Product Number	23.5111101	23.5011101	23.5011200	23.5011201	23.5011300
Handysand Edition	Combo XXL	Combo XL	Combo Bare	Combo Smart	Combo Smart L
Sander Line	Combo Line	Combo Line	Combo Line	Combo Line	Combo Line
Sanding Type	A.R.S. Self Grip	A.R.S.	A.R.S.	A.R.S.	A.R.S.
Rated Power	750 watt	750 watt	750 watt	750 watt	750 watt
Voltage	220/110 volt	220/110 volt	220/110 volt	220/110 volt	220/110 volt
Speed r.p.m.	550 - 1350	550 - 1350	550 - 1350	550 - 1350	550 - 1350
Drive Cable	8mm	8mm	8mm	8mm	8mm
Power Cable	5m	5m	5m	5m	5m
Weight no extension	4.2kg	4.2kg	4.2kg	4.2kg	4.2kg
Weight 2 extension	5.7kg	5.7kg	4.9kg	4.9kg	4.9kg
Overall Length	272cm	272cm	162cm	207cm	227cm
Working Height	392cm	392cm	282cm	327cm	347cm

VEZOS Drywall sander, is a multi set-up wall & ceiling sander. The set-up of this tool is easy by simply connecting each complex and securely tightening the nut on each side. Start off by connecting the motor complex to the head complex to work with a compact version sander of 97cm, use the hidden retractable extension 45cm, to reach higher working areas. For a classic size version, connect one main extension 65cm to the motor & head complex, check that the female connector has inserted securely into the male 4 lock system, before tightening the secure nut. For even higher working areas, connect multiple main extension to achieve the desired height. Due to VEZOS A.R.S. technology (Auto regulated Suction) the Handysand Combo sander will grip to the surface and allow you to sand without lifting the weight of the sander. A retractable extension may be used in all set-up versions.

Note: In order to achieve the best gripping effect, work with a professional vacuum collector with an efficient self-cleaning filter. All VEZOS sanders, connect to any branded vacuum cleaner, with the vacuum connectors included in your purchased edition for dustless sanding in & outdoors.

For further tips or advice regarding the Handysand Combo drywall sander, refer to our website www.vezos.co.uk or email our technical service department at technical@vezos.co.uk



Retractable Extension

Push - Pull & secure, when in need of that extra length while sanding narrow and high working areas.

Soft Grip

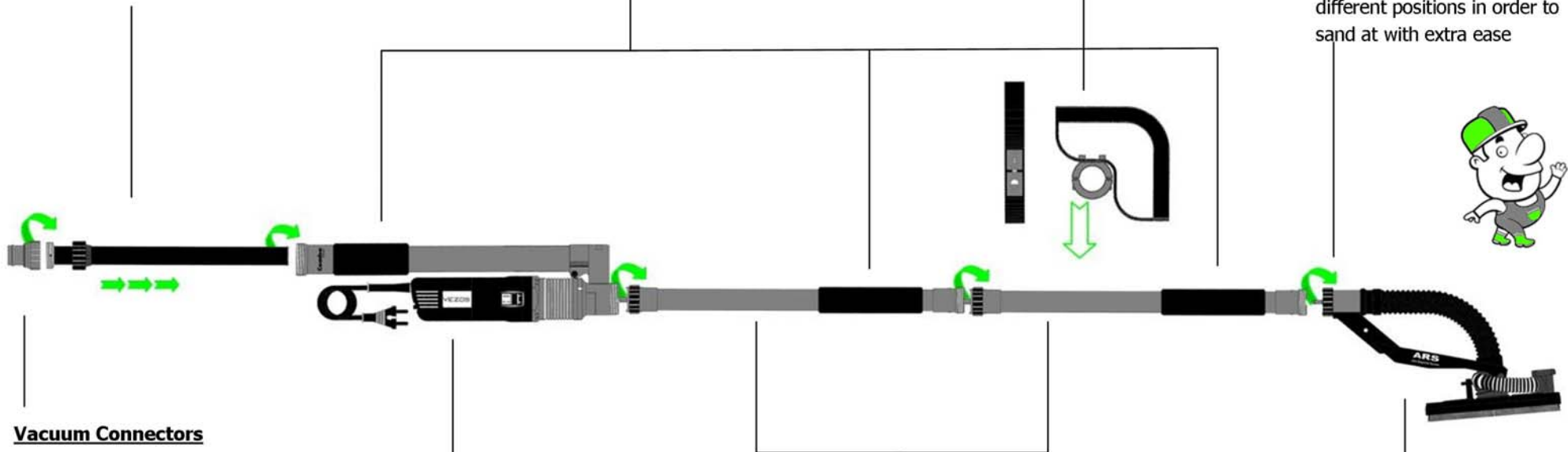
Anti slide soft grips are placed in two main parts of the sander

Grip On Handle

Attach the handle, to any part of the main sander, for that secure & better grip.

Four Place Lock

Lock your connector in 4 different positions in order to sand at with extra ease



Vacuum Connectors

Two different sizes of connectors are available, 32mm & 38mm (recommended). Simply connect your vacuum hose to this end, for clean working and ARS function

Motor End

Powerful 750 Watt motor & extra long power cord.

Main Extension

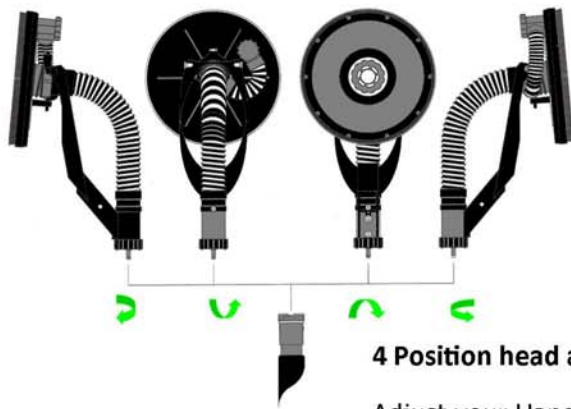
Basic Edition includes one 65cm extension, XL Edition includes two (65*2=130cm) extensions.

Note: Try your sander with three extensions!

HD Head Attachment

You will find the HD system on the XL Edition,

Always including the VEZOS **ARS** (Automatic Regulated Suction) system, for that strong gripping effect



4 Position head attachment lock

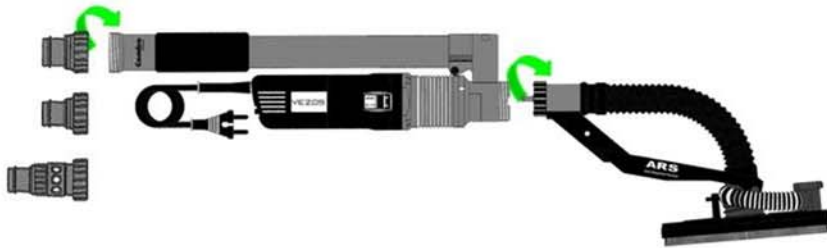
Adjust your Handysand Combo head attachment to the desired position for perfect and easy sanding procedure on walls, ceilings & floors.

Fast set up—30 Seconds for the Handysand Combo Line

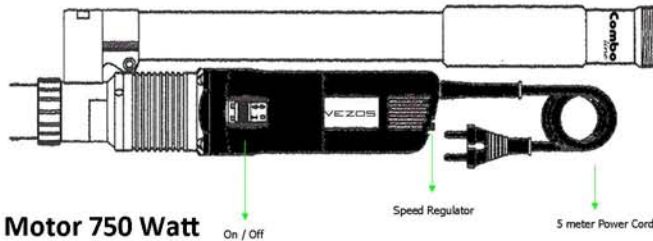
Your Handysand, can be broken down in to pieces, either for easy transportation or for safe keeping. The Combo line connectors, allow you to assembly your sander as you wish. Enabling you to change the size of your Handysand, starting from 97cm and reaching up to 2.72cm. Achieving an amazing 4 meters working height!

Easily place the male to female connector and secure by simply tightening the nut.

Vacuum Connectors & Pressure Releaser



Choose between two different sizes of vacuum connectors
32 & 38 mm (recommended), or your manual pressure releaser.



Use of Device

The Handysand Combo editions may be operated on surfaces such as:

- Painted walls and ceilings
- Drywall, cement walls, ceilings and floors

The device has been manufactured and designed for use under normal conditions and not in an explosive environment.

When not in use, you should place the device in such position that it is not worn, where there is no risk of it falling or causing an accident to nearby person.

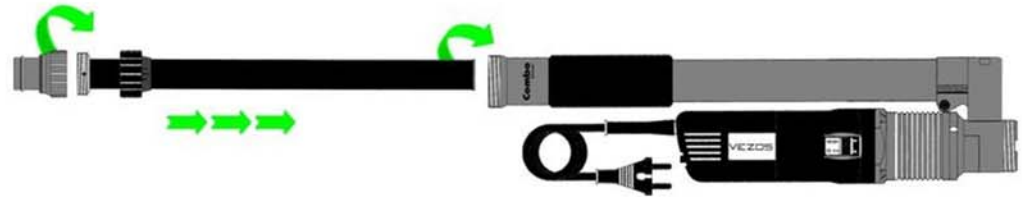


The Handysand Combo main extensions, provide you that extra height when needed.

Each 65 cm extension, secures with a custom made nut, no need for extra tools in order to attach the extension. Try your Handysand II, with one, two or even three extension, allowing you working height up to 4 meters high.

Tip: Always make sure you hear the click before securing the nut.

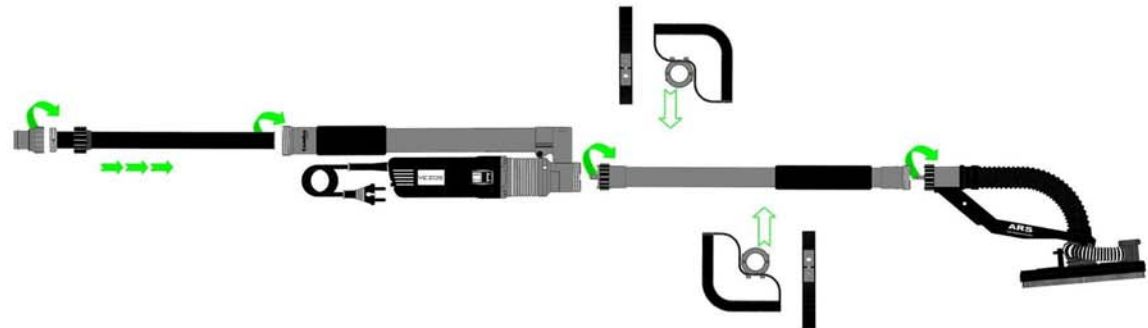
Retractable Extension



The Retractable Extension may be purchased as an accessory with the basic Edition. Included in the standard XL edition.

Grip On Handle—Where to attach it

No Rules, just find the position that fits you the best, simply tighten the clamp and use the handle to drive or hold on to your Handysand Auto 150



General Instructions

Read the complete guide manual before starting off your device. Get yourself familiar with the controls and usage of the device. This device is not intended for use by persons (including under aged) with reduced physical, sensory or mental capabilities, lack of knowledge. Never allow children to use the device. Never use the device when there are children or pets nearby. The user is responsible for any accidents or hazards suffered by third parties or their property. Always check the device, the power cord and the extension cable before using the device. Only operate the tool when it is in good working order and is not damaged in any way. Damaged parts have to be replaced immediately by a qualified service point. Contact manufacturer company for information.

When purchasing your Handysand, make sure that you have read all the Operation and Technical instructions, before powering up your device. Connect the Motor end to the Head Attachment for your mini version of the Handysand II. For longer versions of the sander, you may adapt 1-3 main extensions. For that extra boost in length adapt the retractable extension and use at preference. Together with your new sander, you will find the abrasive disc, extra available purchase sizes from P40-P220, attach the disc on the head. To achieve the ARS function, you will need to connect the Handysand, to any branded professional vacuum cleaner, to the rear end of your tool. International vacuum hose sizes are 32 & 38mm, for this reason by purchasing the XL edition, you will be provided with two sized vacuum connectors, VEZOS recommends for better gripping results to use the 38mm connector to the equivalent hose. Also the combo line accessories include a pressure release adapter, for manually releasing the suction, when necessary. Hold on firmly to your tool, once you are comfortable and feel secure with the way you are holding the Handysand II, then power up.

Approach the necessary surface, and simply start sanding. Beware of any nails or sharp edges, if you sand over these mentioned parts, then most possibility you will tear the abrasive pad. While preparing your surface we suggest that any nails are removed initially. When finishing the job, always clean your tool, for long life durability. Place your tool in a secure and safe area, do not leave the tool in an outdoor environment.

Work Area

Keep your workplace clean and well-illuminated. Do not use this device in an environment where there you run the risk of explosion due to flammable materials or dust.

Troubleshooting guide

In case the device does not start up, check the following:

The power line is connected to an active outlet

The main switch is at the «on» position

In case the device does not work as expected, check the following:

The abrasive disc is sufficiently attached to the abrasive pad of the device

The abrasive pad is in good condition

There is no dust or other material blocking the flow of the air through the device

The entire surface of the disc is in (vertical) contact with the working surface

Check if the devices outer casing/suction hose or shaft is damaged or torn. If the device still does not function as expected, or if you notice strange or unusual operation of the device, contact the distributor or manufacturer.

Warranty

VEZOS warrants that greatest efforts will be made to make sure that at the time of delivery all products to be sold to the Distributor shall be free from any defects in material or workmanship. VEZOS after an examination on the problem shall credit, repair or replace, without charge to the Distributor, any such Products that are defective or nonconforming, provided that the Distributor notifies VEZOS of such defective and non-conforming Products by filling the Warranty Claim Form with all the essential information reading the warranty problem. This warranty is conditioned upon the prepaid return of the equipment claimed to VEZOS for verification of the claimed defect. If the claimed defect is verified, VEZOS will repair or replace for free of charge, any defective parts. The equipment will be returned to the original purchaser transportation prepaid. If inspection of the equipment does not disclose any defect in material or workmanship, repairs will be made at a reasonable charge, which charges may include the cost of parts, labour and transportation for testing and evaluation. The credit if the Product, repair or replacement of the Product will be executed only after an examination from VEZOS that for the maintenance and repair of the Products the directions and specifications that are described within the technical manuals of the Products are supplied with the Products, have been followed. The afore-mentioned obligations stretch no further that the warranty VEZOS can claim from his suppliers of each material products. VEZOS makes no warranty and disclaims all implied warranties of merchantability and fitness for a particular purpose in connection with accessories, equipment, materials or components sold but not manufactured by VEZOS. These items sold, but not manufactured by VEZOS (such as electrical parts etc) are subject to warranty, if any, of their own manufacture.

This warranty covers only and exclusively credits of the Product, repairs or replacement of Products and under no circumstances does it cover any other demand for income loss, workmanship damages and accidents of people or users.