

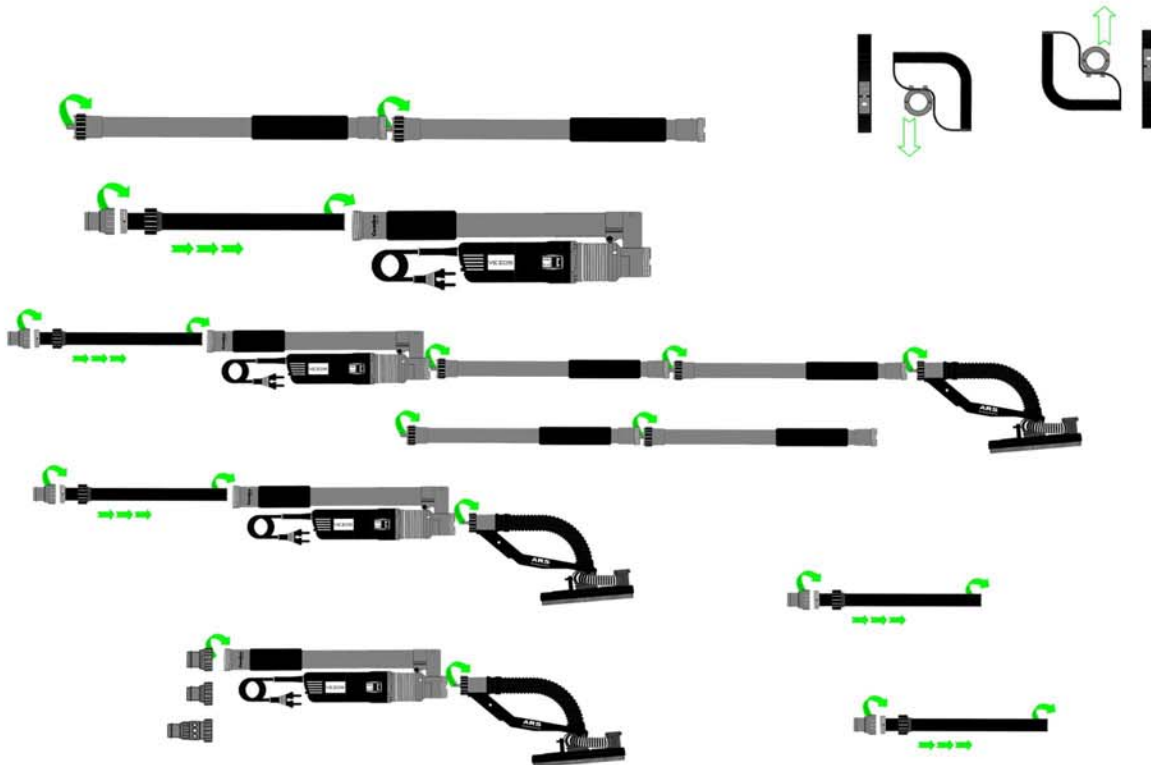
## Combo line

Part List Manual: 09.107508

Product: Wall & Ceiling Sander Handysand Combo Line

Model Part Number: 23.5111101,

23.5011101, 23.5011200, 23.5011201, 23.5011300



VEZOS Drywall sander, is a multi set-up wall & ceiling sander. The set-up of this tool is easy by simply connecting each complex and securely tightening the nut on each side. Start off by connecting the motor complex to the head complex to work with a compact version sander of 97cm, use the hidden retractable extension 45cm, to reach higher working areas. For a classic size version, connect one main extension 65cm to the motor & head complex, check that the female connector has inserted securely into the male 4 lock system, before tightening the secure nut. For even higher working areas, connect multiple main extension to achieve the desired height. Due to VEZOS A.R.S. technology (Auto regulated Suction) the Handysand Combo sander will grip to the surface and allow you to sand without lifting the weight of the sander. A retractable extension may be used in all set-up versions.

Note: In order to achieve the best gripping effect, work with a professional vacuum collector with an efficient self-cleaning filter. All VEZOS sanders, connect to any branded vacuum cleaner, with the vacuum connectors included in your purchased edition for dustless sanding in & outdoors.

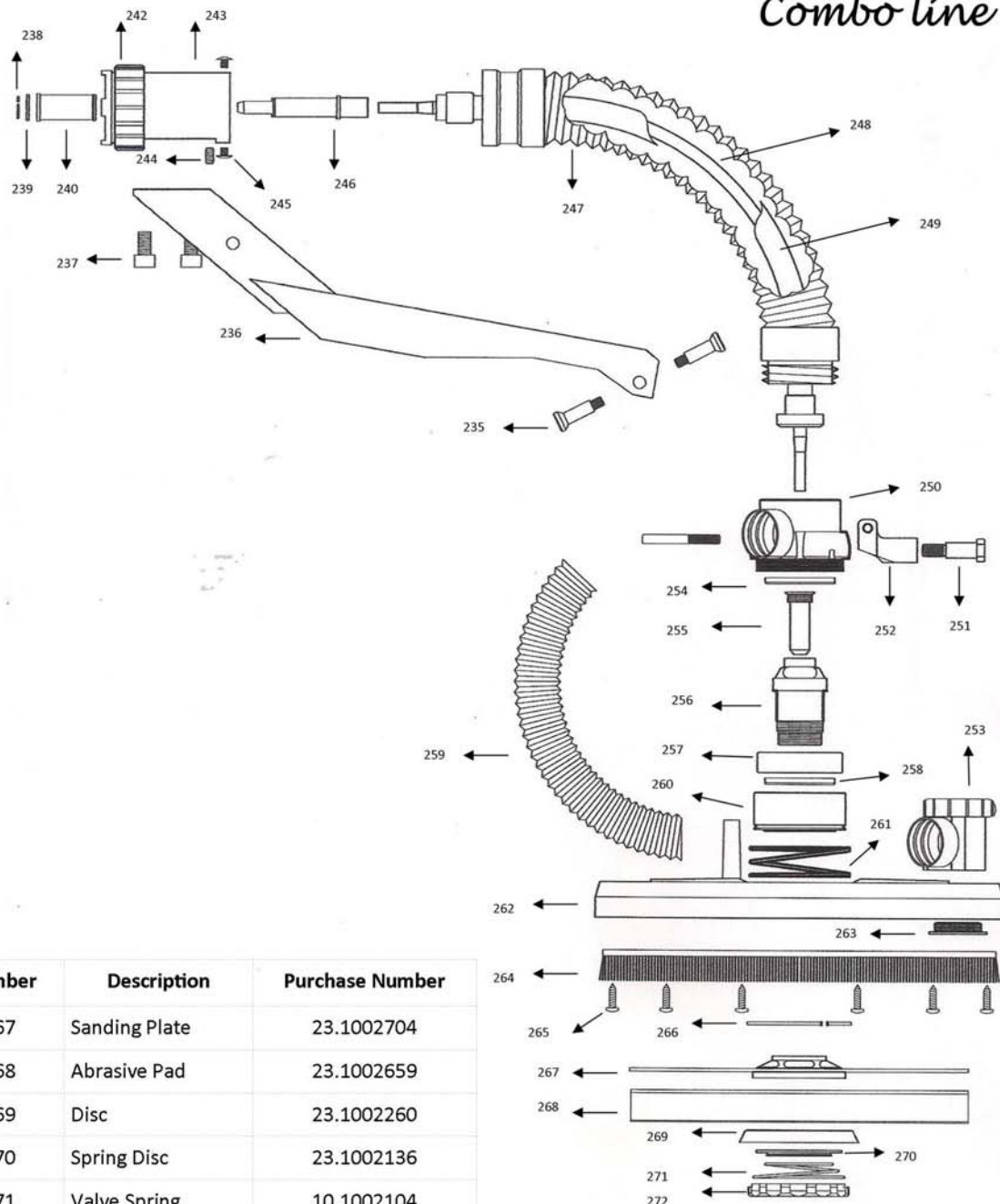
For further tips or advice regarding the Handysand Combo drywall sander, refer to the operation manual (09.107515) or visit our website [www.vezos.co.uk](http://www.vezos.co.uk) or email our technical service department at [technical@vezos.co.uk](mailto:technical@vezos.co.uk)

| Number | Description         | Purchase Number |
|--------|---------------------|-----------------|
| 235    | Screw 4 (x2)        | 23.1002702      |
| 236    | Main Head Body      | 23.1002700      |
| 237    | Screw (x2)          | 10.1002349      |
| 238    | Safety Ring         | 10.1001758      |
| 239    | Seal                | 10.1002928      |
| 240    | Head Bearing        | 23.1003179      |
| 242    | Secure Nut          | 23.1003177      |
| 243    | Head Attachment     | 23.1003176      |
| 244    | Screw (x2)          | 10.1002157      |
| 245    | Screw (*2)          | 10.1003209      |
| 246    | Head Axis           | 23.1003178      |
| 247    | Suction Hose        | 23.1003175      |
| 248    | Flexible Shaft      | 31.1002159      |
| 249    | Outer Casing H2     | 23.1003174      |
| 250    | Housing             | 23.1003173      |
| 251    | Screw               | 23.1002126      |
| 252    | Motorwell           | 23.1002701      |
| 253    | Pressure Regulator  | 23.1002709      |
| 254    | Seal                | 10.1002651      |
| 255    | Flexible Shaft Rod  | 23.1002129      |
| 256    | Drive Shaft         | 23.1002131      |
| 257    | Ball Bearing        | 10.1001937      |
| 258    | Seal                | 10.1002651      |
| 259    | Suction Hose Disc   | 18.1001837      |
| 260    | Ball Bearing Casing | 23.1002708      |
| 261    | Spring              | 10.1002134      |
| 262    | Disc Shield         | 23.1002712      |
| 263    | Safety Nut          | 23.1002709/2    |
| 264    | Brush               | 43.1002327      |
| 265    | Screw (x 10)        | 10.1001956      |
| 266    | Safety Ring         | 10.1002101      |

**HEAD ATTACHMENT XL/HD PART LIST**  
**HANDYSAND Combo Line**



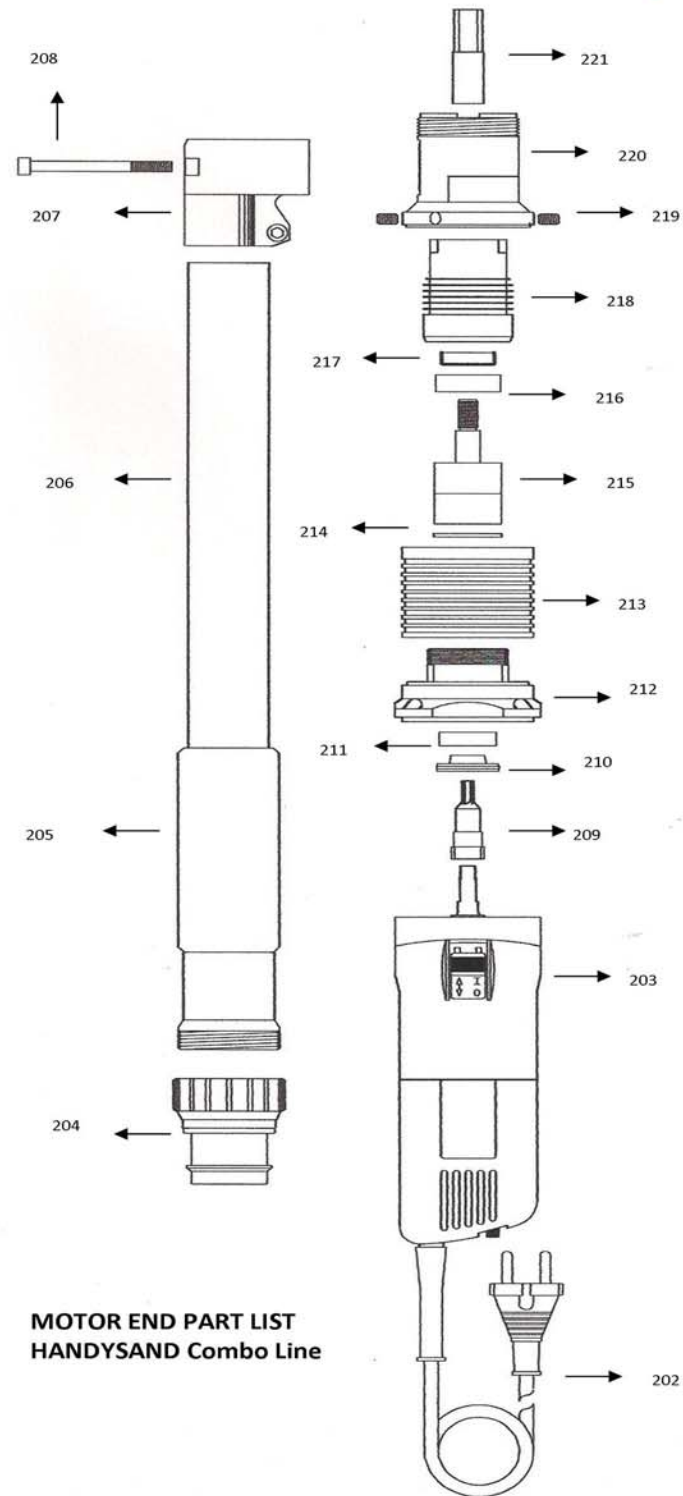
*Combo line*



| Number | Description   | Purchase Number |
|--------|---------------|-----------------|
| 267    | Sanding Plate | 23.1002704      |
| 268    | Abrasive Pad  | 23.1002659      |
| 269    | Disc          | 23.1002260      |
| 270    | Spring Disc   | 23.1002136      |
| 271    | Valve Spring  | 10.1002104      |
| 272    | Nut           | 23.1002138      |

| Number | Description           | Purchase Number |
|--------|-----------------------|-----------------|
| 202    | Power Cord (Bare 5m)  | 40.1002264      |
| 203    | Motor                 | 39.1002436      |
| 204    | Vacuum Connector 38mm | 23.1003195      |
| 205    | Soft Grip Kit         | 51.1003202      |
| 206    | Rear handle           | 23.1003193      |
| 207    | Angle Joint           | 23.1003186      |
| 208    | Screw                 | 10.1003207      |
| 209    | Reducer Axis          | 23.1003191      |
| 210    | Reducer Cup           | 23.1003192      |
| 211    | Ball Bearing          | 10.1001453      |
| 212    | Motor Attachment      | 23.1003190      |
| 213    | Reducer Cover         | 23.1003189      |
| 214    | Seal                  | 23.1001746      |
| 215    | Restrictor Kit        | 06.1001747      |
| 216    | Ball bearing          | 10.1001510      |
| 217    | Seal                  | 10.1001748      |
| 218    | Restrictor Housing    | 23.1003203      |
| 219    | Screw (x2)            | 10.1002727      |
| 220    | Body Connector        | 23.1003185      |
| 221    | Reducer Female End    | 23.1003187      |

**MOTOR HANDLE PART LIST  
HANDYSAND Combo Line**

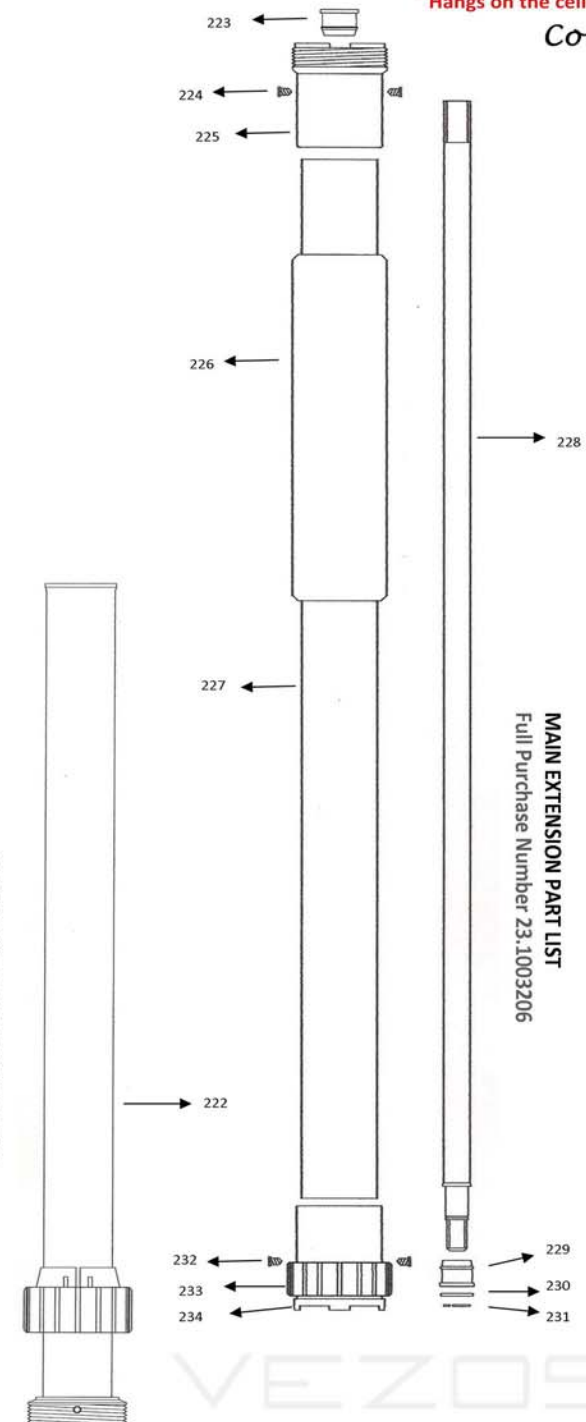


**MOTOR END PART LIST  
HANDYSAND Combo Line**



|                     |                  |              |              |              |               |
|---------------------|------------------|--------------|--------------|--------------|---------------|
| Product Number      | 23.5111101       | 23.5011101   | 23.5011200   | 23.5011201   | 23.5011300    |
| Handysand Edition   | Combo XXL        | Combo XL     | Combo Bare   | Combo Smart  | Combo Smart L |
| Sander Line         | Combo Line       | Combo Line   | Combo Line   | Combo Line   | Combo Line    |
| Sanding Type        | A.R.S. Self Grip | A.R.S.       | A.R.S.       | A.R.S.       | A.R.S.        |
| Rated Power         | 750 watt         | 750 watt     | 750 watt     | 750 watt     | 750 watt      |
| Voltage             | 220/110 volt     | 220/110 volt | 220/110 volt | 220/110 volt | 220/110 volt  |
| Speed r.p.m.        | 550 - 1350       | 550 - 1350   | 550 - 1350   | 550 - 1350   | 550 - 1350    |
| Drive Cable         | 8mm              | 8mm          | 8mm          | 8mm          | 8mm           |
| Power Cable         | 5m               | 5m           | 5m           | 5m           | 5m            |
| Weight no extension | 4.2kg            | 4.2kg        | 4.2kg        | 4.2kg        | 4.2kg         |
| Weight 2 extension  | 5.7kg            | 5.7kg        | 4.9kg        | 4.9kg        | 4.9kg         |
| Overall Length      | 272cm            | 272cm        | 162cm        | 207cm        | 227cm         |
| Working Height      | 392cm            | 392cm        | 282cm        | 327cm        | 347cm         |

| Number | Description           | Purchase Number |
|--------|-----------------------|-----------------|
| 222    | Retractable Extension | 23.1003201      |
| 223    | Extension Bearing     | 23.1003184      |
| 224    | Screw (x2)            | 10.1003208      |
| 225    | Female Connector      | 23.1003180      |
| 226    | Soft Grip kit         | 51.1003202      |
| 227    | Extension Tube        | 23.1003205      |
| 228    | Extension Axis        | 23.1003181      |
| 229    | Extension Bearing     | 23.1003184      |
| 230    | Seal                  | 10.1002928      |
| 231    | Safety Ring           | 10.1001758      |
| 232    | Screw (x2)            | 10.1003208      |
| 233    | Secure Nut            | 23.1003177      |
| 234    | Male Connector        | 23.1003182      |



VEZOS