

VEZOS

Parts list manual 09.107508

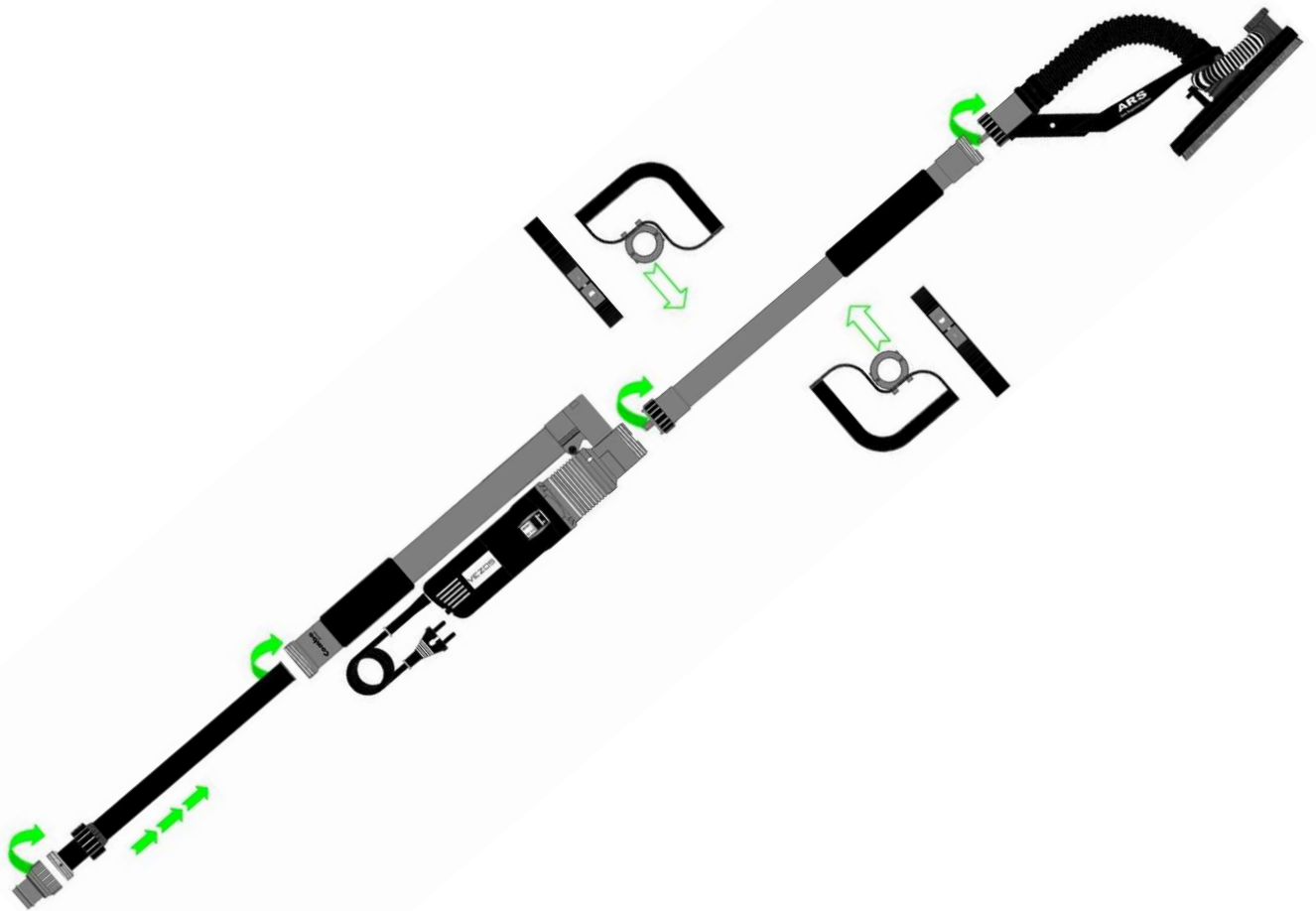
Product: Handysand Auto II XL

Part Number: 23.5011101

Product: Handysand Auto II Basic

Part Number: 23.5011200

Handysand Auto
Advanced Sanding Technology



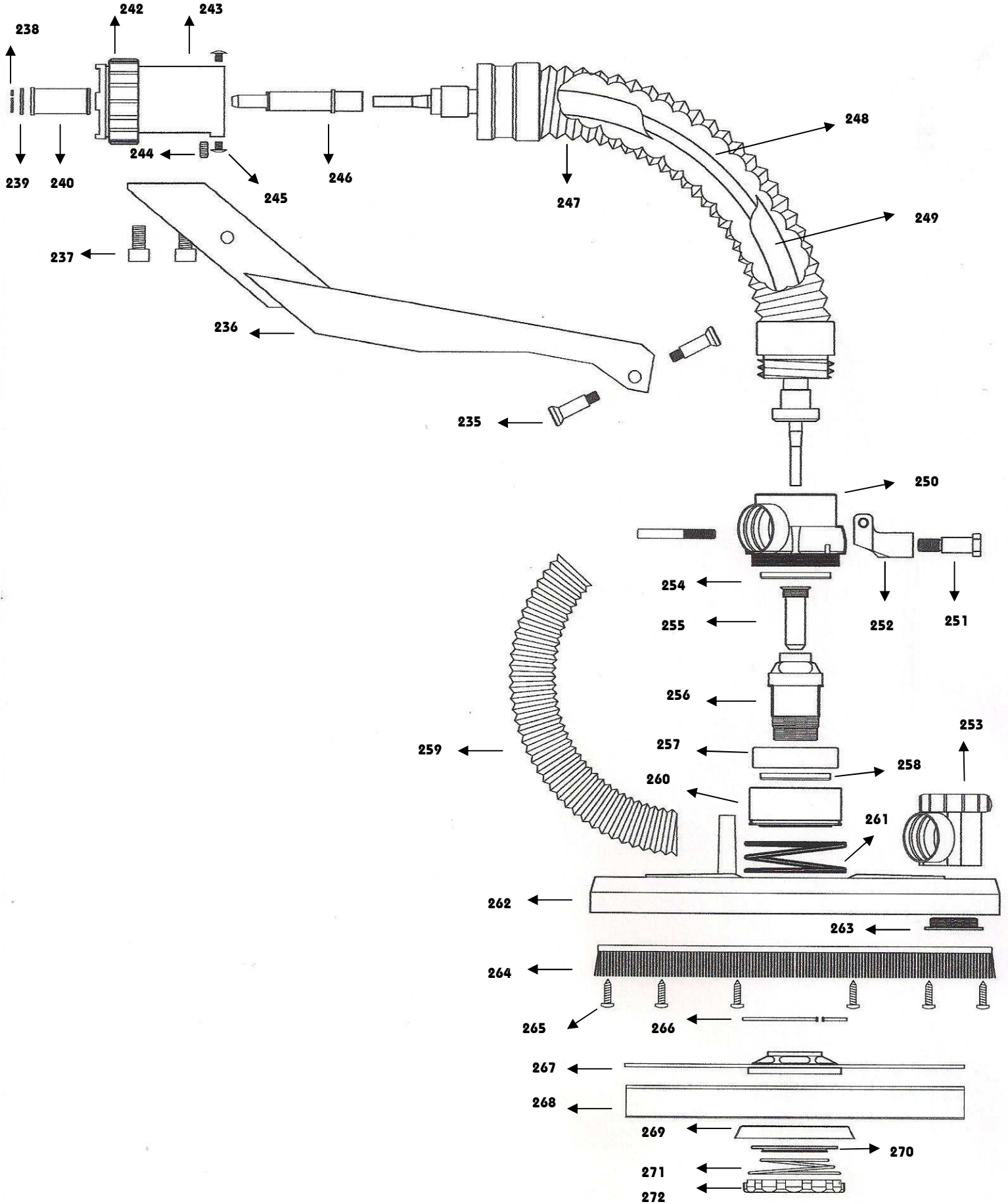
The Handysand Auto II is equipped with the VEZOS ARS System & is categorized under the VEZOS Combo line products

Combo
line

www.vezos.gr

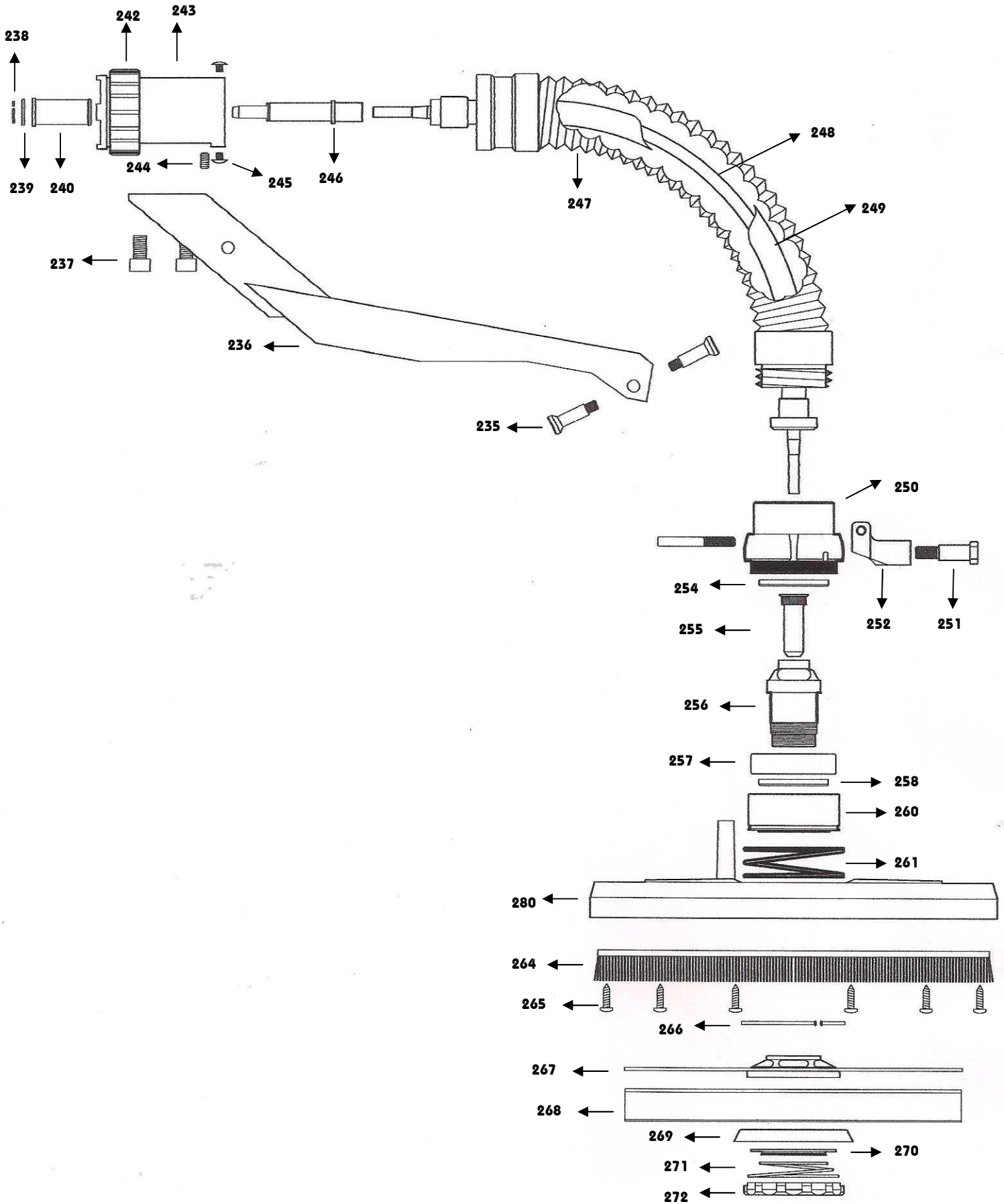
ARS
Auto Regulated Suction

HEAD ATTACHMENT XL/HD PART LIST
HANDYSAND 2 XL EDITION (HD)
 Full Purchase Number 23.1003212



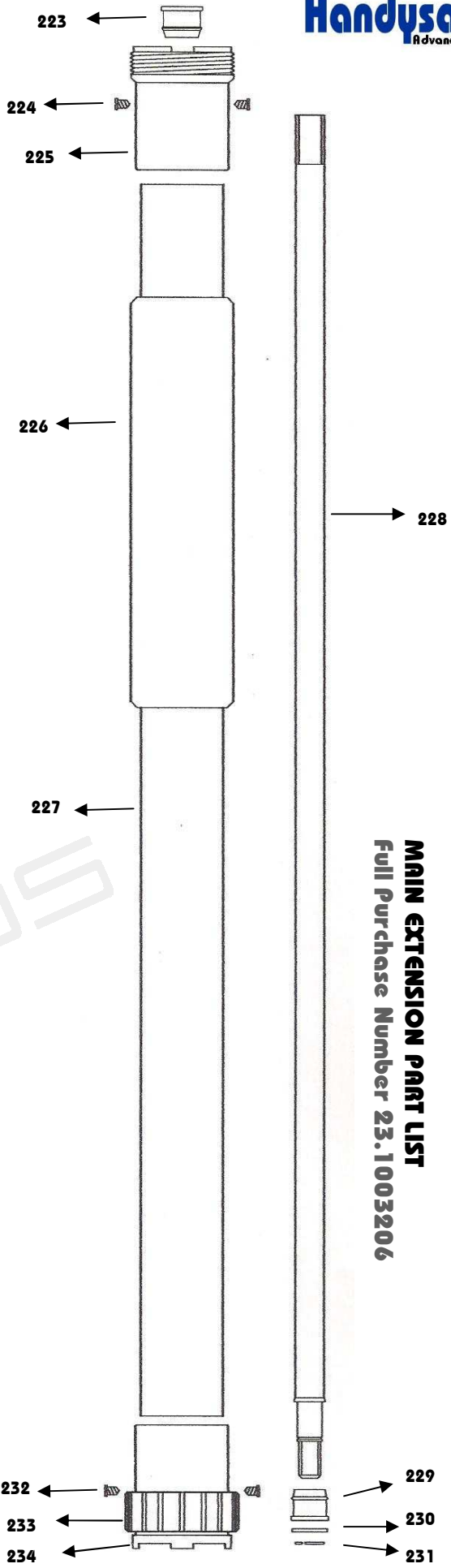
Part List Number	Description	Purchase Number
235	Screw 4 (x2)	23.1002702
236	Main Head Body	23.1002700
237	Screw (x2)	10.1002349
238	Safety Ring	10.1001758
239	Seal	10.1002928
240	Head Bearing	23.1003179
242	Secure Nut	23.1003177
243	Head Attachment	23.1003176
244	Screw (x2)	10.1002157
245	Screw (*2)	10.1003209
246	Head Axis	23.1003178
247	Suction Hose	23.1003175
248	Flexible Shaft	31.1002159
249	Flexible Shaft Outer Casing H2	23.1003174
250	Housing	23.1003173
251	Screw	23.1002126
252	Motorwell	23.1002701
253	Pressure Regulator	23.1002709
254	Seal	10.1002651
255	Flexible Shaft Rod	23.1002129
256	Drive Shaft	23.1002131
257	Ball Bearing	10.1001937
258	Seal	10.1002651
259	Suction Hose Disc	18.1001837
260	Ball Bearing Casing	23.1002708
261	Spring	10.1002134
262	Disc Shield	23.1002712
263	Safety Nut	23.1002709/2
264	Brush	43.1002327
265	Screw (x 10)	10.1001956
266	Safety Ring	10.1002101
267	Sanding Plate	23.1002704
268	Abrasive Pad	23.1002659
269	Disc	23.1002260
270	Spring Disc	23.1002136
271	Valve Spring	10.1002104
272	Nut	23.1002138

HEAD ATTACHMENT BASIC PART LIST
HANDYSAND BASIC EDITION
Full Purchase Number 23.1003213

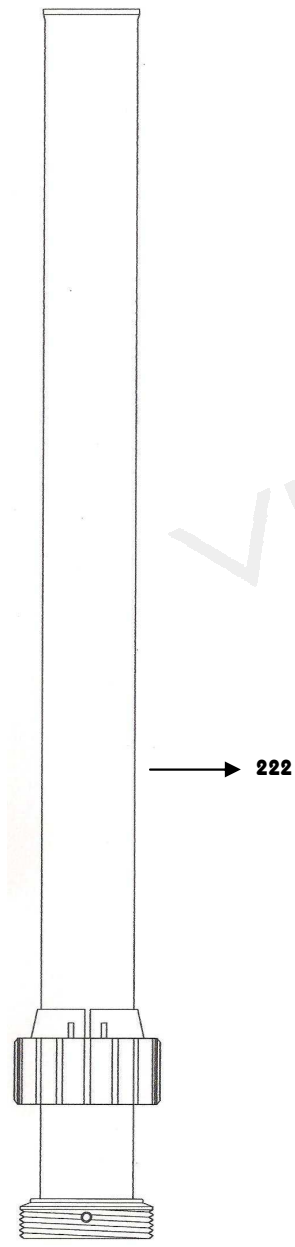


Part List Number	Description	Purchase Number
235	Screw 4 (x2)	23.1002702
236	Main Head Body	23.1002700
237	Screw (x2)	10.1002349
238	Safety Ring	10.1001758
239	Seal	10.1002928
240	Head Bearing	23.1003179
242	Secure Nut	23.1003177
243	Head Attachment	23.1003176
244	Screw (x2)	10.1002157
245	Screw (*2)	10.1003209
246	Head Axis	23.1003178
247	Suction Hose	23.1003175
248	Flexible Shaft	31.1002159
249	Flexible Shaft Outer Casing H2	23.1003174
281	Housing	23.1002127
251	Screw	23.1002126
252	Motorwell	23.1002701
254	Seal	10.1002651
255	Flexible Shaft Rod	23.1002129
256	Drive Shaft	23.1002131
257	Ball Bearing	10.1001937
258	Seal	10.1002651
260	Ball Bearing Casing	23.1002708
261	Spring	10.1002134
280	Disc Shield	23.1002135
264	Brush	43.1002327
265	Screw (x 10)	10.1001956
266	Safety Ring	10.1002101
267	Sanding Plate	23.1002704
268	Abrasive Pad	23.1002659
269	Disc	23.1002260
270	Spring Disc	23.1002136
271	Valve Spring	10.1002104
272	Nut	23.1002138

Part List Number	Description	Purchase Number
222	Retractable Extension	23.1003201
223	Extension Bearing	23.1003184
224	Screw (x2)	10.1003208
225	Female Connector	23.1003180
226	Soft Grip kit	51.1003202
227	Extension Tube	23.1003205
228	Extension Axis	23.1003181
229	Extension Bearing	23.1003184
230	Seal	10.1002928
231	Safety Ring	10.1001758
232	Screw (x2)	10.1003208
233	Secure Nut	23.1003177
234	Male Connector	23.1003182



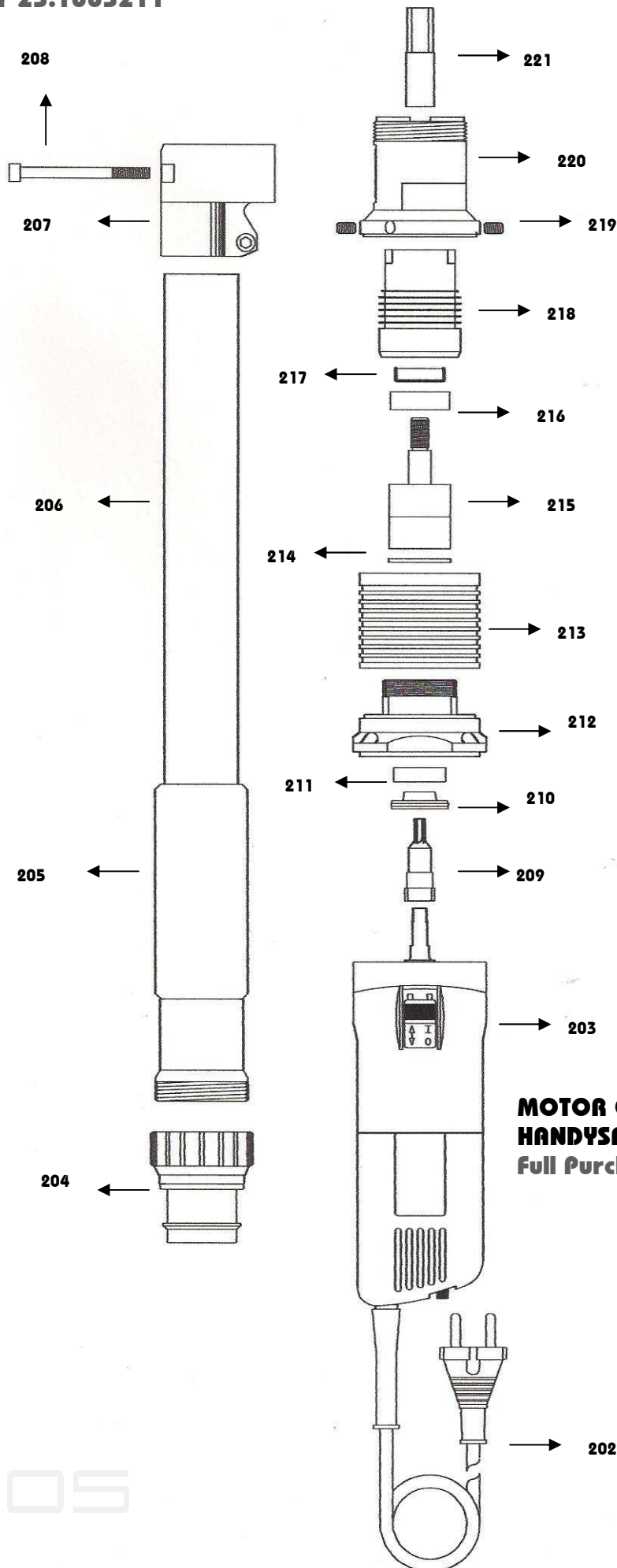
RETRACTABLE EXTENSION PART LIST
Full Purchase Number 23.1003201



MAIN EXTENSION PART LIST
Full Purchase Number 23.1003206

VEZOS

MOTOR HANDLE PART LIST
HANDYSAND BASIC EDITION/XL
Full Purchase Number 23.1003211



MOTOR END PART LIST
HANDYSAND BASIC EDITION/XL
Full Purchase Number 23.1003210

Part List Number	Description	Purchase Number
202	Power Cord (Bare 5m)	40.1002264
203	Motor	39.1002436
204	Vacuum Connector 38mm	23.1003195
205	Soft Grip Kit	51.1003202
206	Rear handle	23.1003193
207	Angle Joint	23.1003186
208	Screw	10.1003207
209	Reducer Axis	23.1003191
210	Reducer Cup	23.1003192
211	Ball Bearing	10.1001453
212	Motor Attachment	23.1003190
213	Reducer Cover	23.1003189
214	Seal	23.1001746
215	Restrictor Kit	06.1001747
216	Ball bearing	10.1001510
217	Seal	10.1001748
218	Restrictor Housing	23.1003203
219	Screw (x2)	10.1002727
220	Body Connector	23.1003185
221	Reducer Female End	23.1003187